



Screwdriving Technology

Automation

Air Motors

Air Tools



Air Jig Saw

- high separating power, high machine uptime
- the speed regulator assures perfect and constant cutting conditions
- highly durable
- simple operation

Hand-guided cutting of different parts, especially metals and plastics. A high separating power is the basis for an efficient operation. The quick-response speed regulator assures a constant cutting speed and optimizes the low air-consumption. The chain saw is designed for the heavy-duty 24/7 industrial operation. The high durability at a very low maintenance requirement is a further advantage.

High separating power

The flexible construction, the high separating power, the use of different materials and their application, assures an efficient cutting capability of supports, pipes, cables, etc.

The speed regulator assures perfect and constant cutting conditions

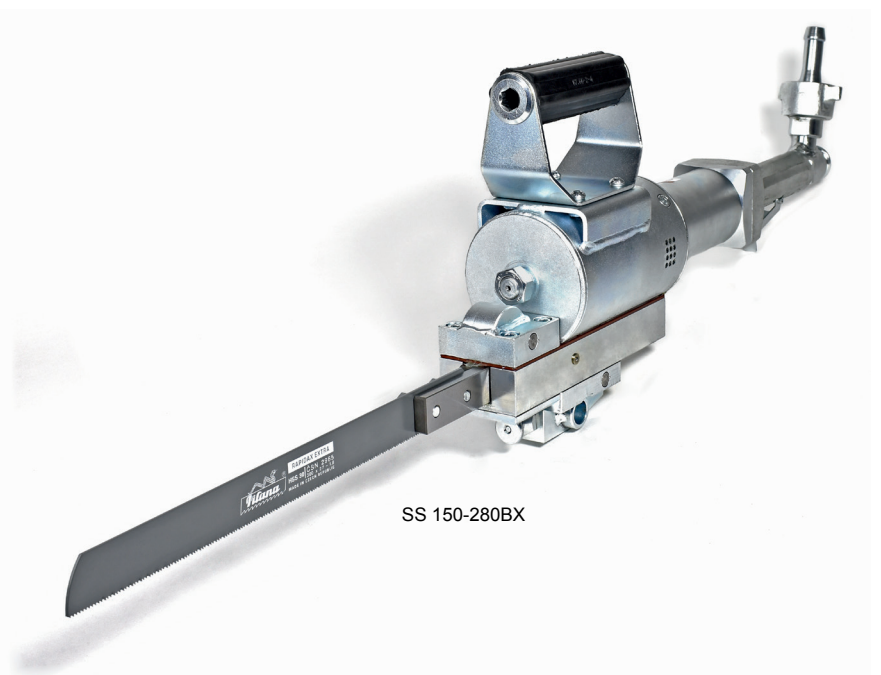
Our Jig Saw is equipped with a quick-response speed regulator, that utilizes the maximum motor power to keep the cutting operation constant.

Highly durable

Due to the efficient and well-tested construction, this saw is highly reliable and requires a low maintenance investment even when used in 24/7 operations.

Simple operation

A simple operation even when performing large sections, is possible due to the integrated clamping system.

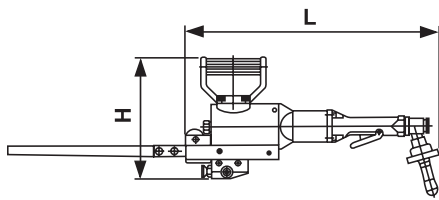


SS 150-280BX



SPECIFICATIONS - JIG SAW

Design



SS 150-280 BX

- X = Safety lever
- B = Basic design
- Strokes per min. - no load
- Power x 10 [W], 150 = 1 500W
- SS = Straight (Jig) Saw

Jig Saw	Model	SS 150-280BX	
Safety Lever	Part No.	6060835A	
Strokes per min. - no load	min ⁻¹ (rpm)	280	
Power output - air pressure 4,5 bar	kW (hp)	0,90	(1.21)
Power output - air pressure 6,3 bar		1,5	(2.01)
Air consumption (max. power)	m ³ /min (cfm)	0,80 (6,3 bar); 0,79 (4 bar) (28.25-6,3 bar; 27.90-4 bar)	
Air consumption (no load)	m ³ /min (cfm)	0,65 (6,3 bar); 0,62 (4 bar) (22.95-6,3 bar; 21.90-4 bar)	
I.D. of air inlet hose	mm (in)	19 (.75)	
Stroke length	mm (in)	68 (2.68)	
Max. dimensions of cut material for middle length of saw blade 350 mm	mm (in)	Ø 250 (9.84)	
Recommended number of cycles for cutting of steel of class 11 with cutting speed 27 m/min	min ⁻¹ (rpm)	200	
Weight	kg (lbs)	10,8 (23.81)	
Dimensions of saw blade (length x width x thickness)	min	300x27x1,6 (11.81x1.06x.06)	
	mid.	350x27x1,6 (13.78x1.06x.06)	
	max.	400x27x1,6 (15.75x1.06x.06)	
Air connection		Rd 32	
Dimensions LxH	mm (in)	460x240 (18.11x9.45)	

Specifications at 90 psi

Standard Equipment:	Part Number
Spanner 13 mm	800404
Saw blade 300x27x1,6 mm	830749
Allen key 5 mm	800448
Hose nozzle	6013825
Screw cap	6014168

Optional Accessories:	Part Number
Clamping fixture of the saw	6076249

DEPRAG
machines unlimited

