

Dear DEPRAG-INDUSTRIAL Associate,
we take the opportunity to inform you about new and improved products that were either added to our product line or where we made improvements. Detailed technical information and pictures, as well as a catalog in PDF-format can be found on our website www.deprag.cz.

NEW PRODUCT:

- **Belt Sander Model GBA030-013BX-200**
- **Belt Sander Model GBA030-013CX-200**

Belt Sander Model GBA030-013BX-200 Belt Sander Model GBA030-013CX-200

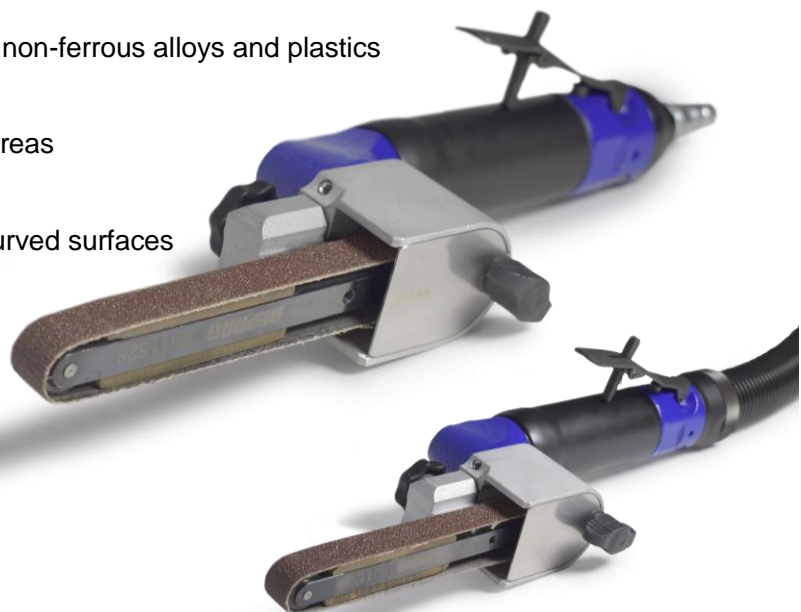
An improved contact arm guarantees the best tension of the sanding belt and has therefore an increased precision during refined fabrication. The peripheral speed of 19 m/s is the best speed for the fabrication of stainless steel, non-ferrous alloys, and plastics. The sanders longevity is increased due to the implementation of new filter materials.

The compact design, low weight, and use of the latest materials, allow the efficient sanding even on hard-to-reach areas.

Type	Part-No.
GBA030-013BX-200	6061440A
GBA030-013CX-200	6061440B

Advantages:

- Especially well-suited for stainless steel, non-ferrous alloys and plastics
- High power to weight ratio
- Efficient sanding even in hard-to-reach areas
- Durable industrial design
- Allows the grinding/sanding of flat and curved surfaces



Technical Data:

Type		GBA030-013BX-200	GBA030-013CX-200
Part-No.		6061440A	6061440B
Execution		Basic	With Exhaust Hose
Start		Lever	
Speed – no load	rpm	20 000	20 000
Power Output	kW	0,3	0,3
Air Consumption, no load	m ³ /min ⁻¹	0,36	0,36
Air Consumption, under load	m ³ /min ⁻¹	0,46	0,46
Peripheral speed of grinding belt	m/s	19	19
Dimensions of the grinding belt	mm	13 x 305 / ½"x12"	13 x 305 / ½"x12"
Required Hose I.D.	mm	LW 8	LW 8
Air Connection		Hose Plug	Hose Plug
Operating Pressure	bar	6,3	6,3
Noise Level L _{pA}	dB/20μPa	87,2) ¹	83,1) ¹
Noise Power Level L _{WA}	dB/1pW	98,2) ¹	94,2) ¹
Weight	kg	0,9	1,2

Standard Equipment:

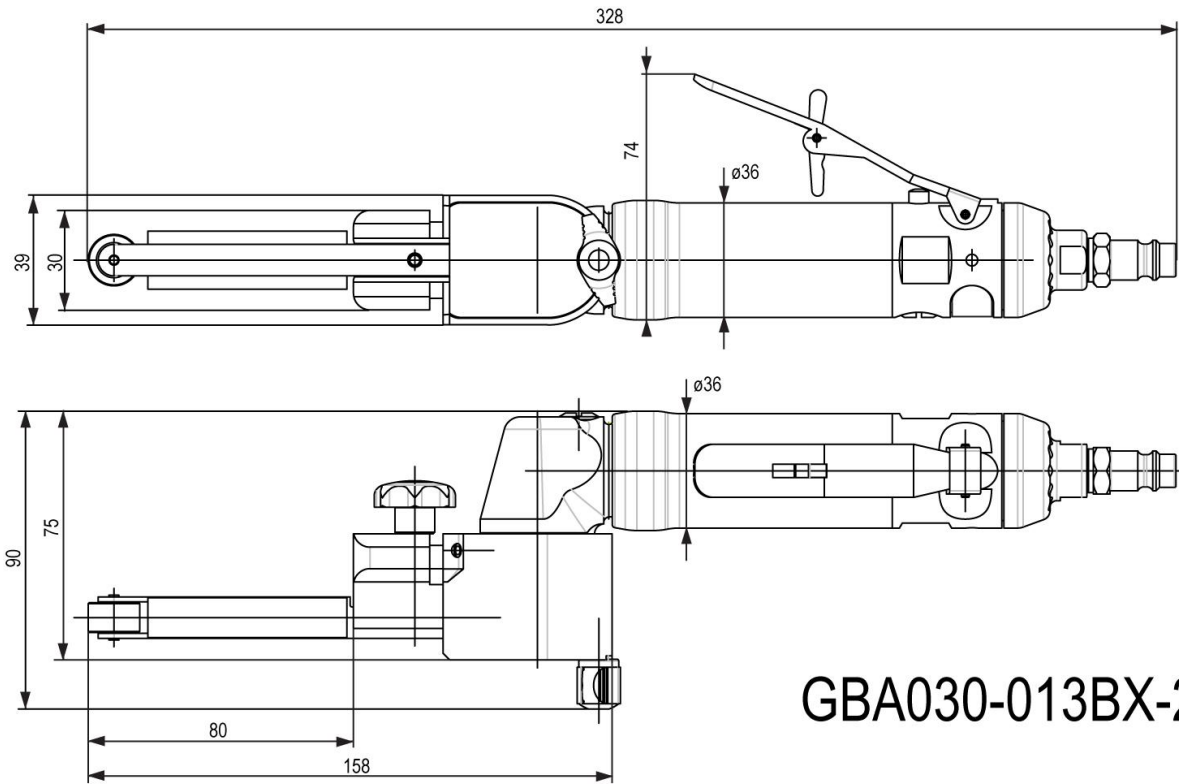
Description	Part No.
Allen Key 2,5 mm	800445
Grinding Belt P60 13 x 305 mm	830686
Grinding Belt P80 13 x 305 mm	830687
Grinding Belt P120 13 x 305 mm	830688
Contact Arm	6011528

Optional Equipment:

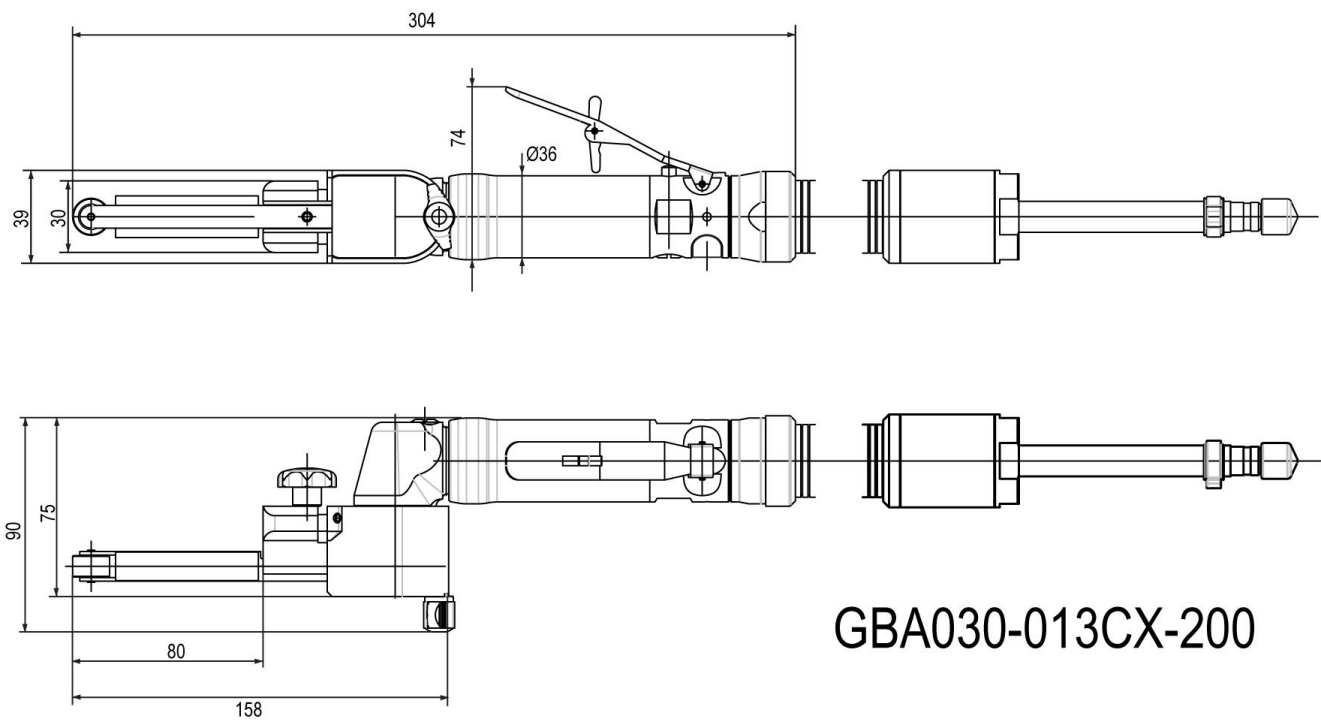
Description	Part No.
Replacement Filter 65 μm	6078645
Contact Arms - see catalog dcz 10143	

Material Group	Material Condition	Recommended Grinding/Sanding Speed (m/s)								
		5	10	15	20	25	30	35	40	
Steel, Cast Iron	soft, tempered, hardened									
Stainless Steel (INOX)										
Non-ferrous Materials	Aluminum Alloy, soft Brass Copper, Pewter									
	Aluminum Alloy, hard Brass Titanium Nickle- and Cobalt-Alloys									
Cast Iron										
Plastics	Reinforced Plastics, Thermoplastics									

Dimensions:



GBA030-013BX-200



GBA030-013CX-200