

Screwdriving technology

Automation

Air motors

Air tools

DEPRAG
INDUSTRIAL

SPECIAL SOLUTIONS

DEPRAG CZ a.s. carries specially adapted tools that perfectly fit your particular application and that are part of our standard assortment.

Please contact our product specialists if you cannot find a suitable tool. We will offer you specially adapted tools for your particular application.

www.deprag.cz

Air Assembly Tool for Mounting of Plastic Dowels

- ergonomic
- efficiency
- easy operating and simple maintenance
- highly durable
- regulation stroke-force in 8 positions

This air assembly tool is especially suited for the placement of plastic dowels or for the in the electrical engineering industry or for mounting of cable trays. Application-extension of this tool can be adjusted depending on dimensions of plastic rivet.

Our air assembly tool for mounting of rivets and wall plugs is distinguished by long lifespan, efficiency and user friendliness.



WP 361-045BZA-077/150



Air Assembly Tool for Mounting of Plastic Dowels

Ergonomic

The balanced assembly tool is coordinated to optimize its operation. This tool work efficiently e.g. in mass production of cable trays or in electrical engineering industry.

Efficiency

Our air tool for mounting of plastic rivets is suited especially for the use in mass production, where a person can suffer sustained, long-lasting and monotonous stress. This air tool is designed to reduce your production efforts by greatly reducing cycle times.

Easy operating and simple maintenance

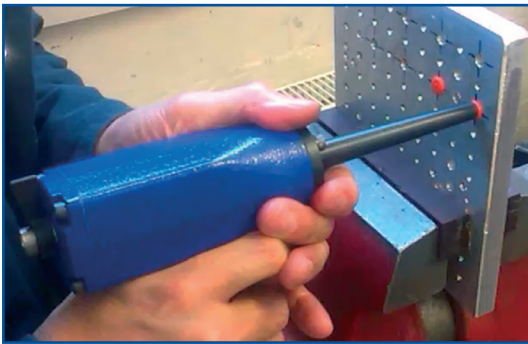
An ergonomic handling and a simple operation is assured for different applications.

Highly durable

The special robust construction assures the high longevity of your tool - even when used in 24/7 operations.

Regulation stroke-force in 8 positions

Our assembly tool is equipped with regulation stroke-force in 8 positions.



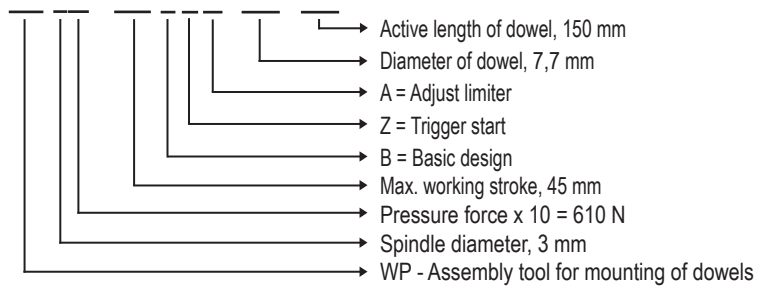
Tool weight-balance
- the precise balancing of the tool weight allows the center-of-gravity to pass straight through the handle

The ergonomic grip- and housing design simplifies tool operation

Progressive trigger start assures smooth start- and shut-off control

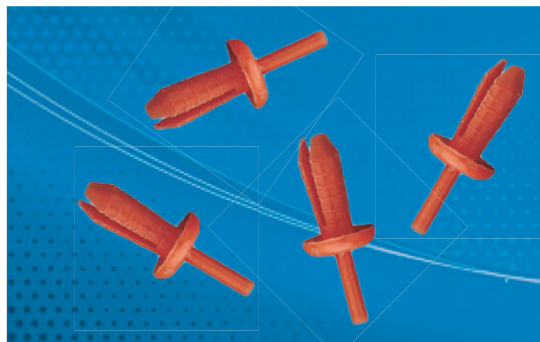
TYPE KEY

WP 361 - 045 B Z A - 077 / 150



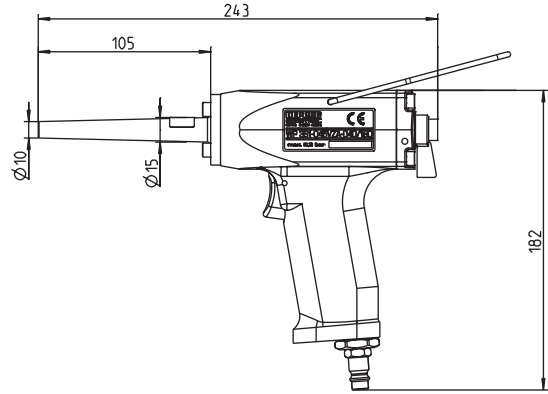
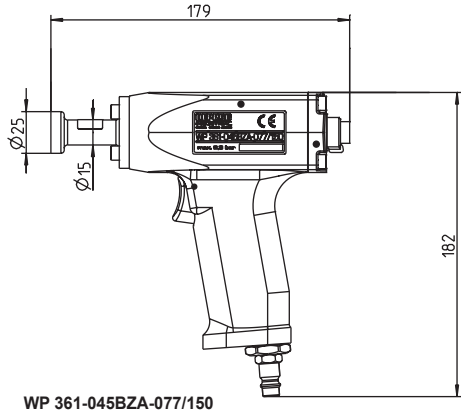
APPLICATIONS

- Mounting of cable trays
- Mounting of plastic dowels in electrical engineering industry
- Mounting of dowels in production of white goods etc.



SPECIFICATIONS - ASSEMBLY TOOL FOR MOUNTING OF PLASTIC RIVETS

Design



(dimensions in mm)

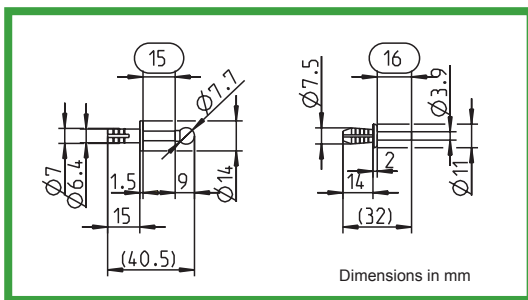
Application-extension of this tool can be adjusted depending on dimensions of plastic dowel.

Start with Trigger	Model	WP 361-045BZA-077/150
	Part No.	6061261A
Diameter of plastic dowel	mm	7,7
Active length of plastic dowel	mm	15
Impact force, adjustable		yes
Max. work stroke	mm	45
Pressure force	N	610
Air consumption/stroke	m ³ /min	0,44
I.D. of air inlet hose	mm	10
Weight	kg	1,2
Air connection		thread 1/4" male/ nipple

Specifications at 90 psi (6,3 bar)

Standard Equipment:

	Part Number
Spanner 8 mm	800450
Nipple	6072224



The assembly tool is designed solely for the placement of appropriate plastic dowels.

DEPRAG

DEPRAG CZ a.s., Lázně Bělohrad

DEPRAG CZ a.s., T. G. Masaryka 113, 507 81 Lázně Bělohrad - Czech Republic
Tel.: +420-493 771 511, Fax: +420-493 771 623, E-mail: sales@deprag.cz, Internet: www.deprag.cz

